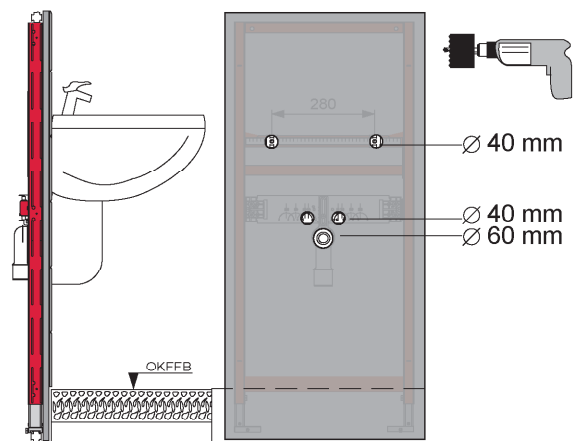
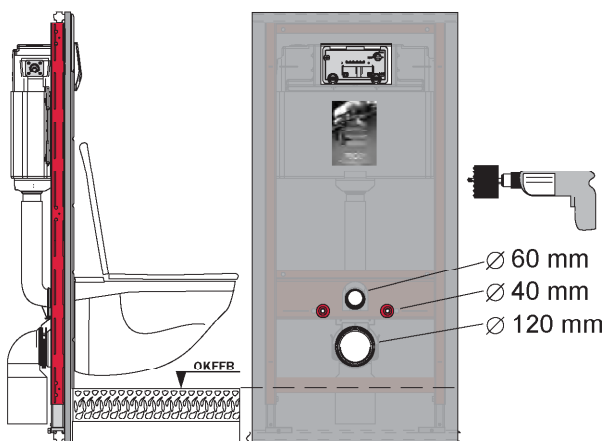
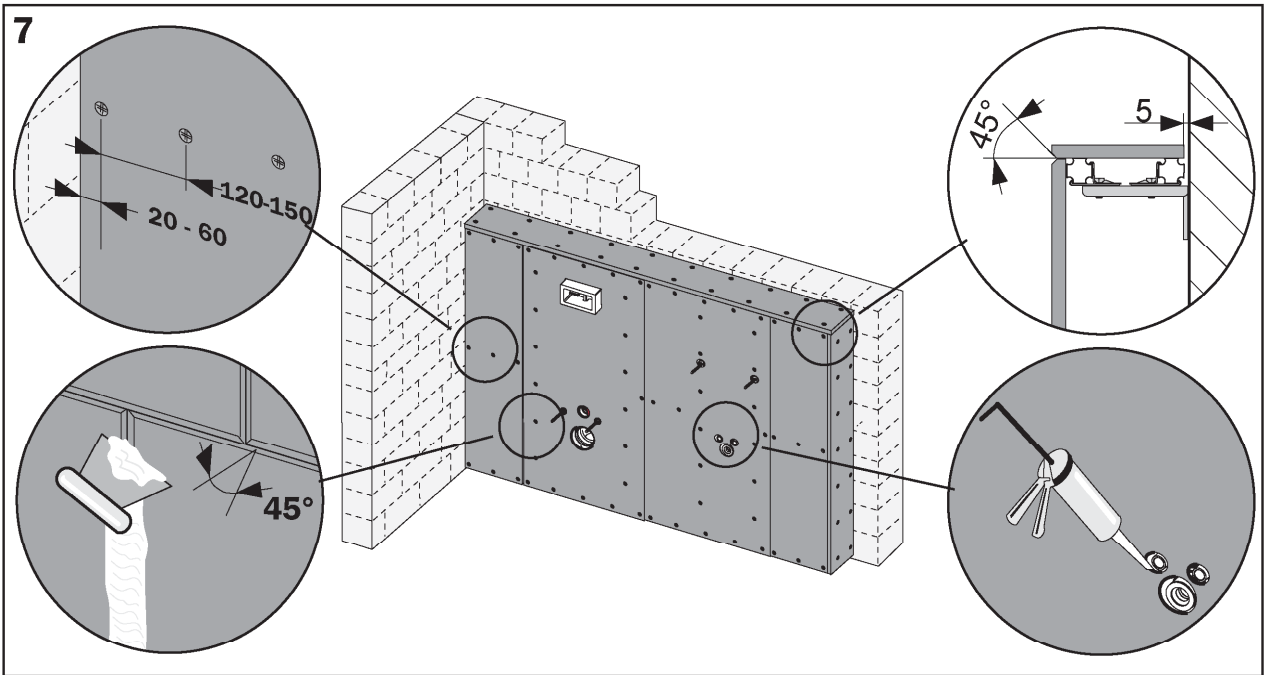
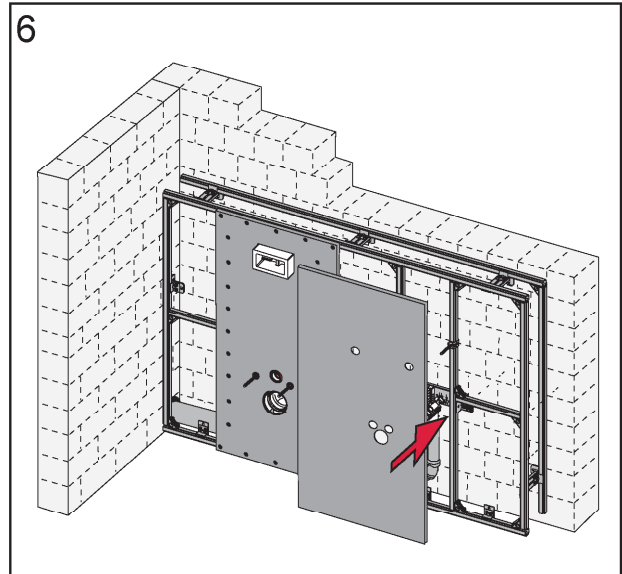
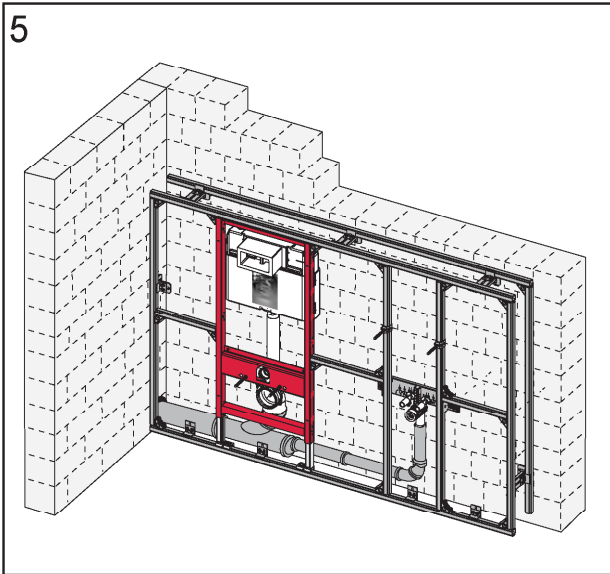
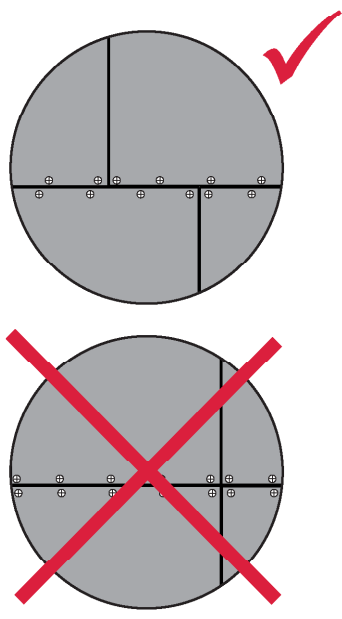
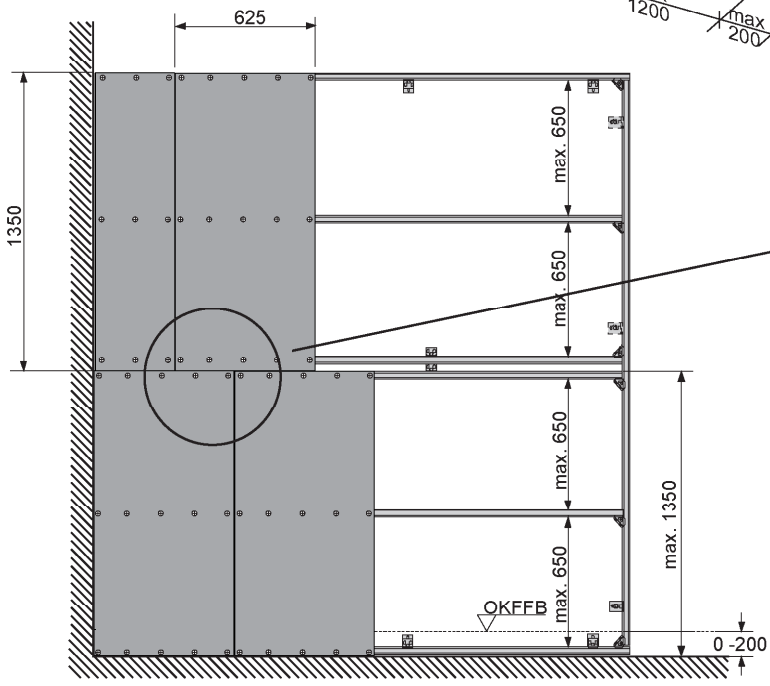
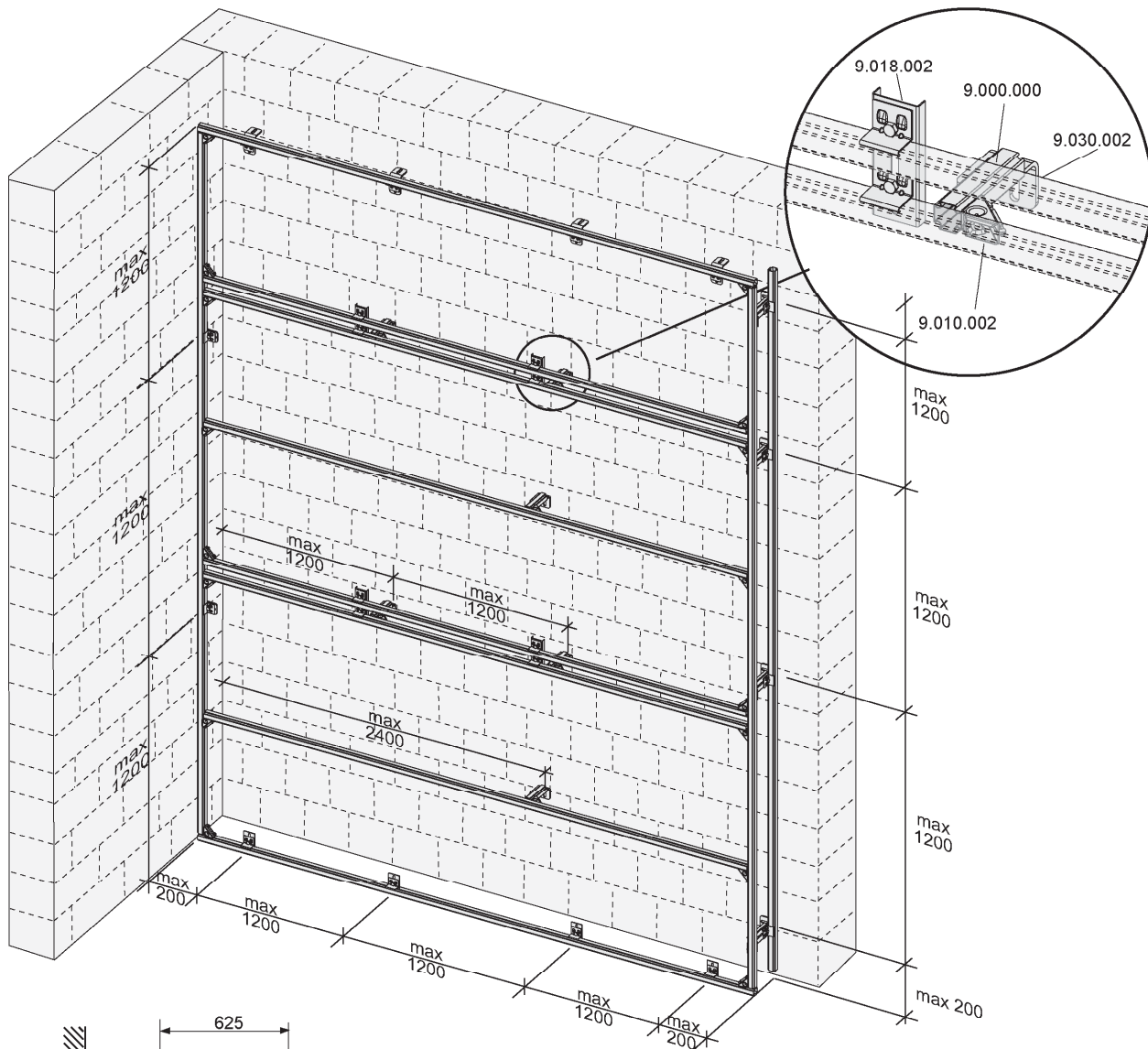


**TECE**



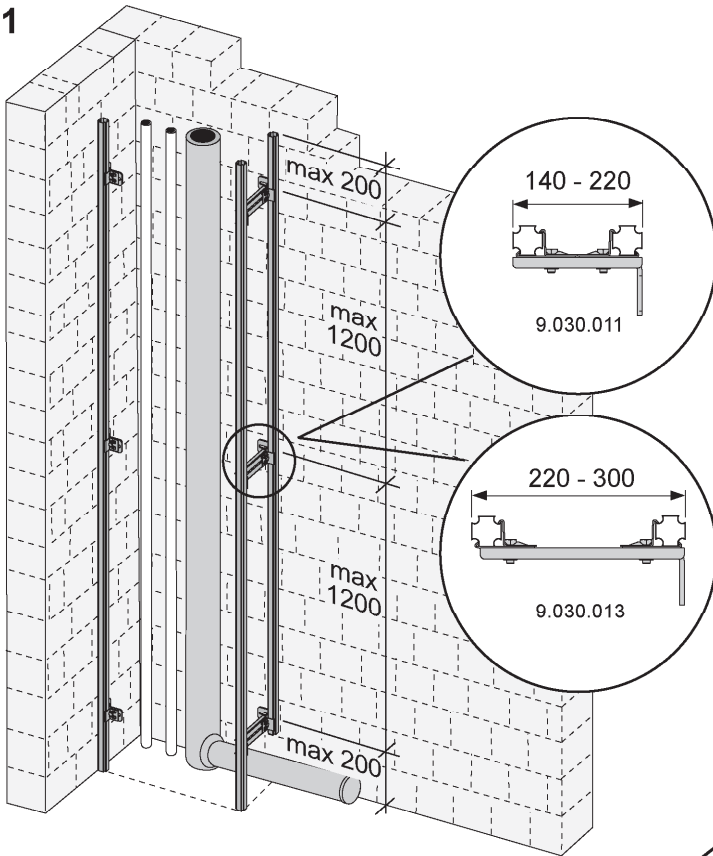


**TECE**

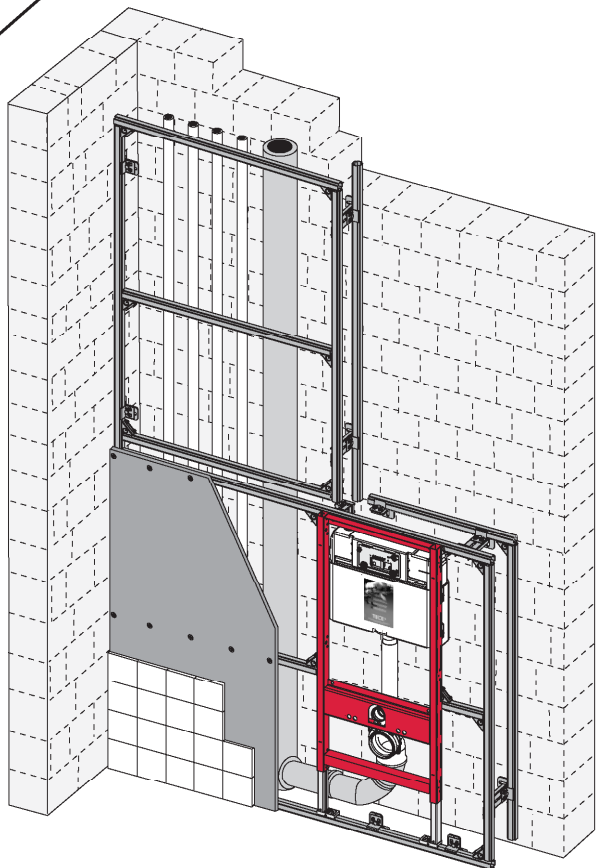
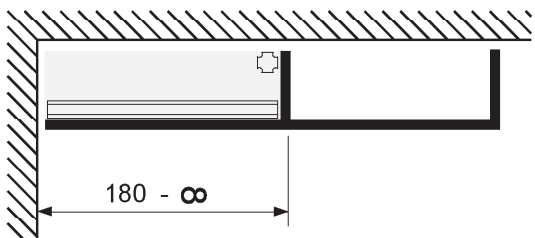
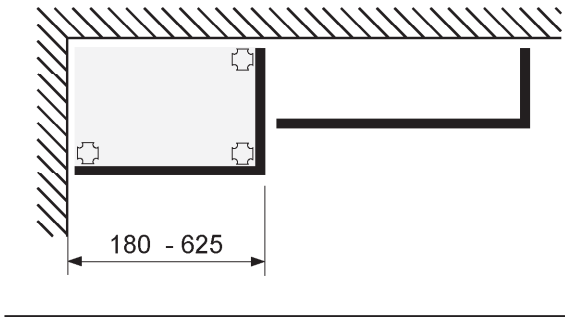
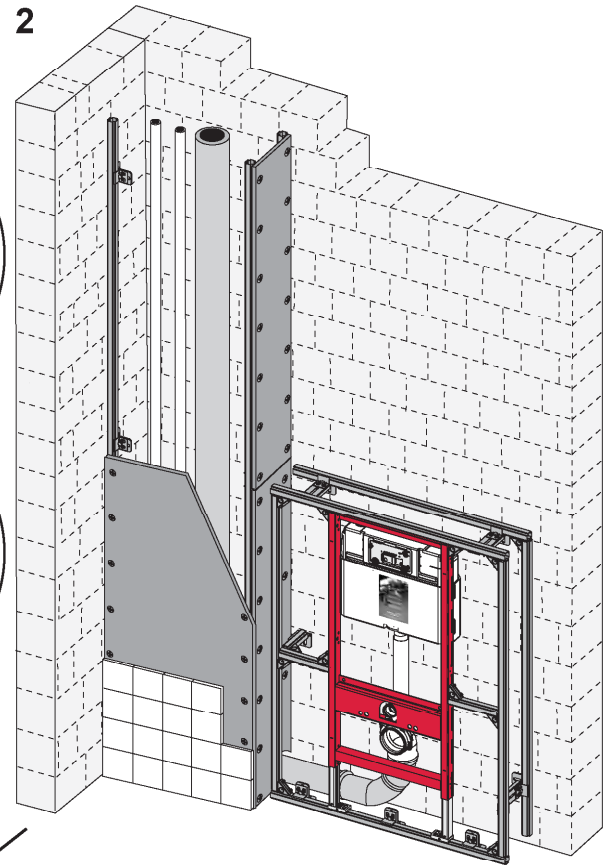
[www.ormotex.md](http://www.ormotex.md)

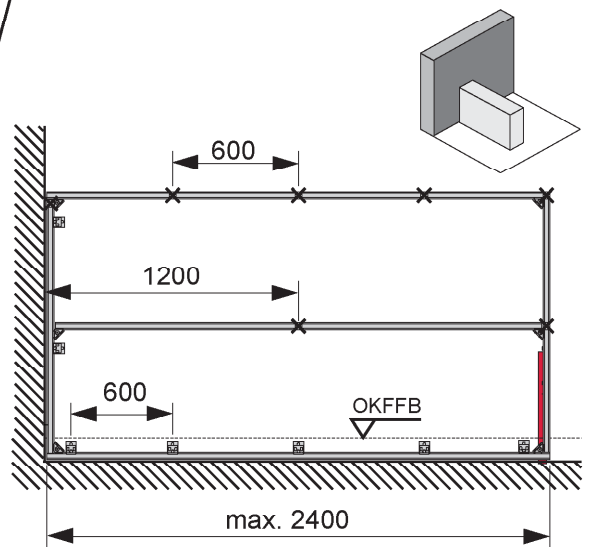
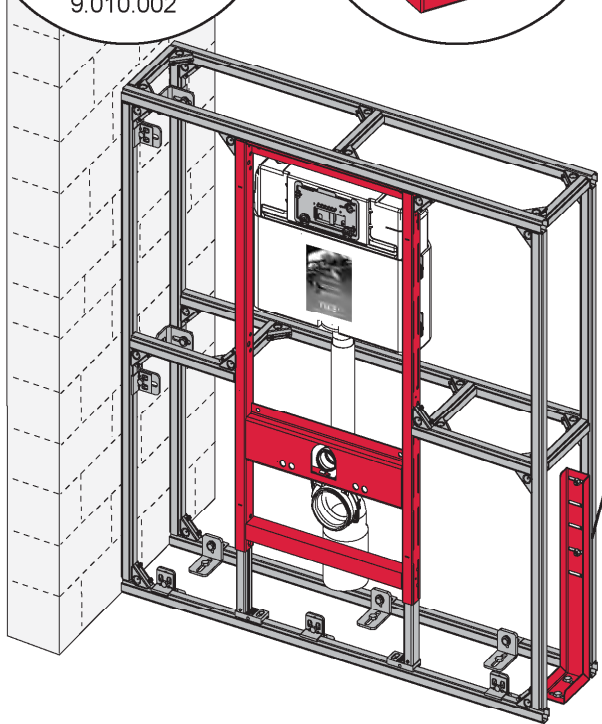
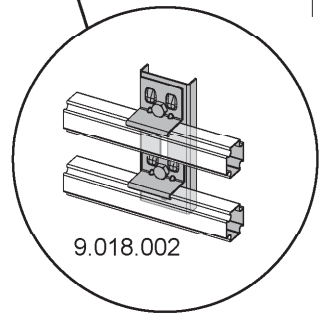
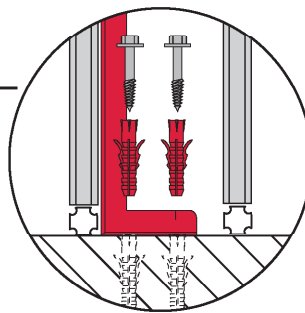
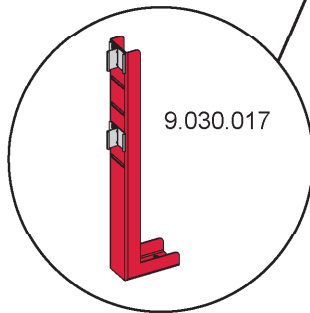
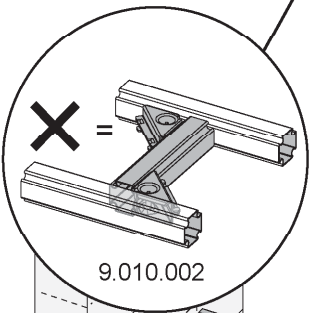
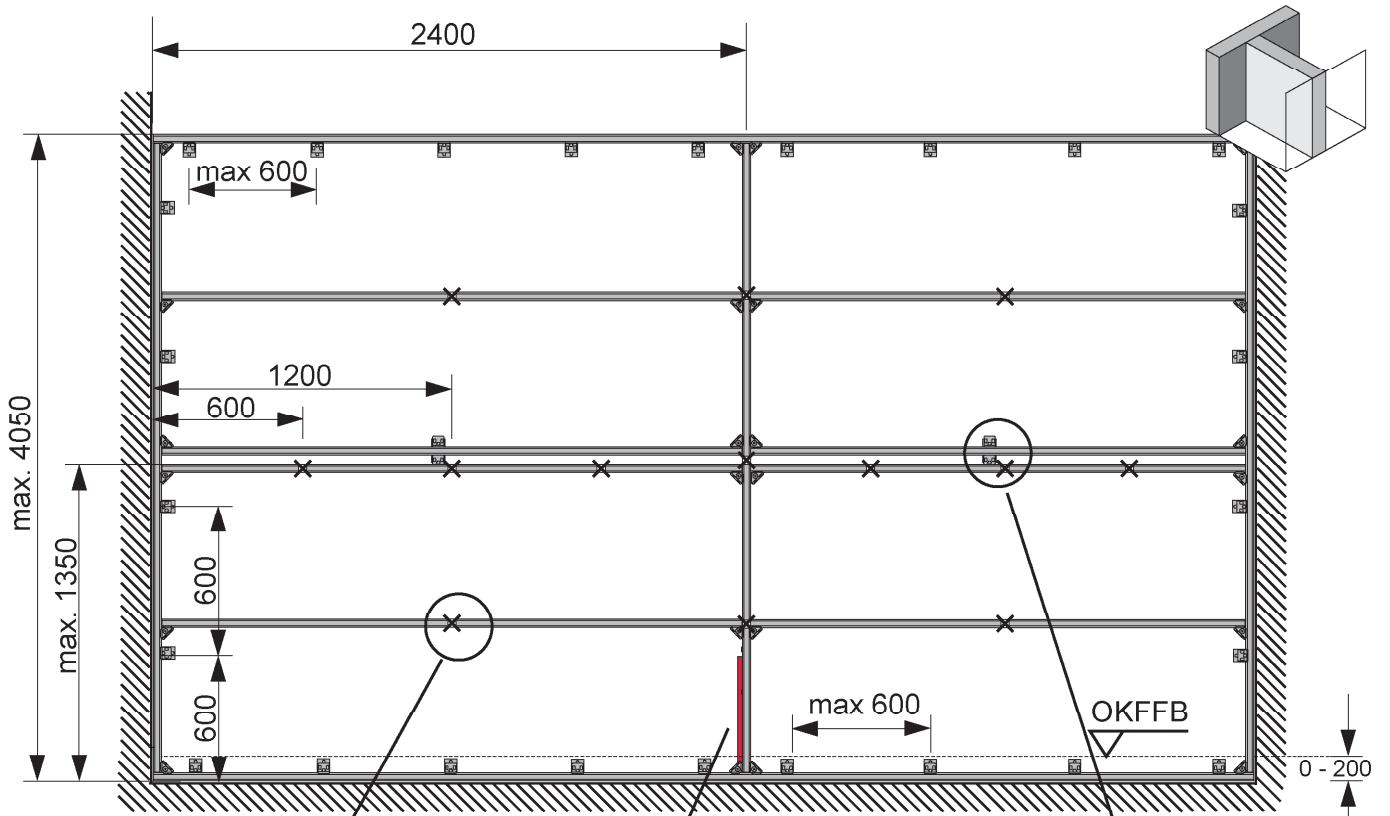


1



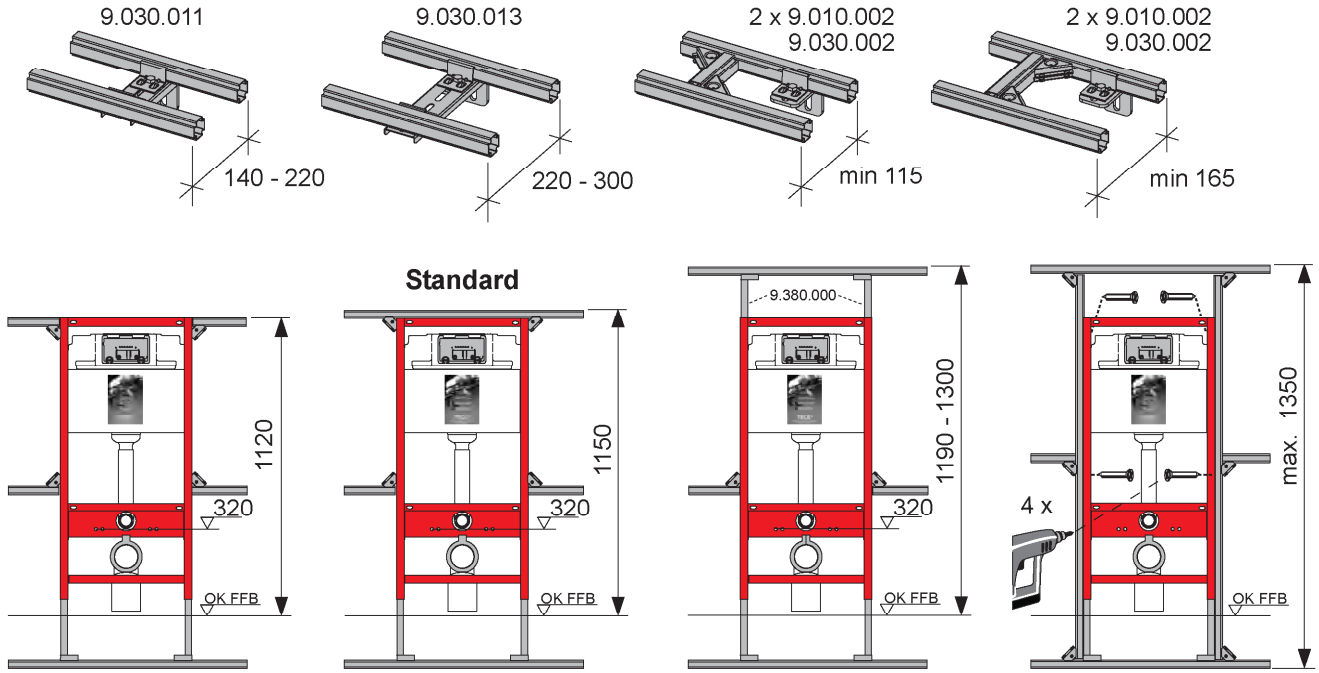
2

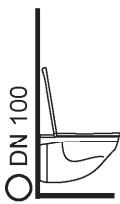

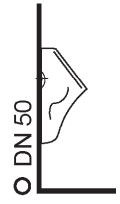





**TECE**

# TECEprofil – System-Montageanleitung



	Art. Nr.	H Standard	T1 min	T2 min
 DN 100	9.300.000	1150 (1120 - 1350)	160	210
	9.300.002			
	9.300.011			
	9.300.001	820 - 920	160	210
	9.041.006	970 - 1350	160	240
 DN 50	9.310.000	1150 (1120 - 1350)	140 (115)	210
	9.310.004			
	9.020.033	820 - 1350	140 (115)	210
	9.020.018			
	9.020.034			
 DN 50	9.320.002	1300 (1150 - 1350)	140 (115)	170
	9.320.000			
	9.320.001	1300 (1150 - 1350)	140 (115)	170
	9.020.017			
	 DN 50	9.330.000	1150 (1120 - 1350)	140 (115)

